

**NOTES:**

1) THE GLASS AND BASE SHOE COMPONENTS INSTALLED IN THE SHOWN CONFIGURATIONS MEET THE LOAD REQUIREMENTS SPECIFIED IN SECTION 9.8.8.2 AND 4.1.5.14.1 (C) OF THE 2015 NBC AND THE 2012 OBC

2) GLASS MUST BE 1/2" OR 12mm THICK AND MUST BE TEMPERED OR LAMINATED SAFETY GLASS INSTALLED ACCORDING TO THE REQUIREMENTS OF CAN/CGSB12.1-M

3) THE MATERIAL TO WHICH THE BASE SHOE IS BEING FASTENED MUST BE ABLE TO REASONABLY WITHSTAND THE DESIGN LOAD.

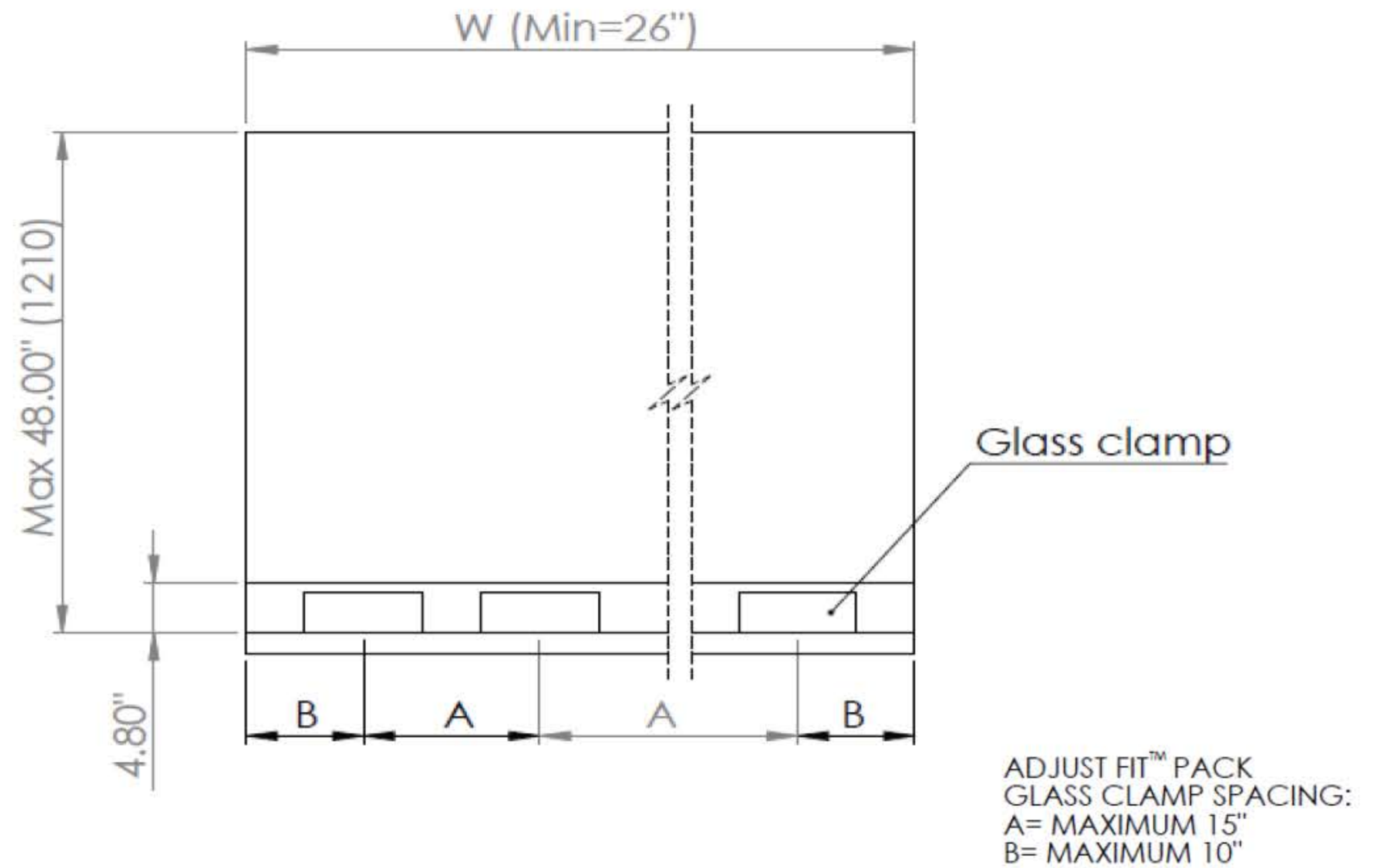
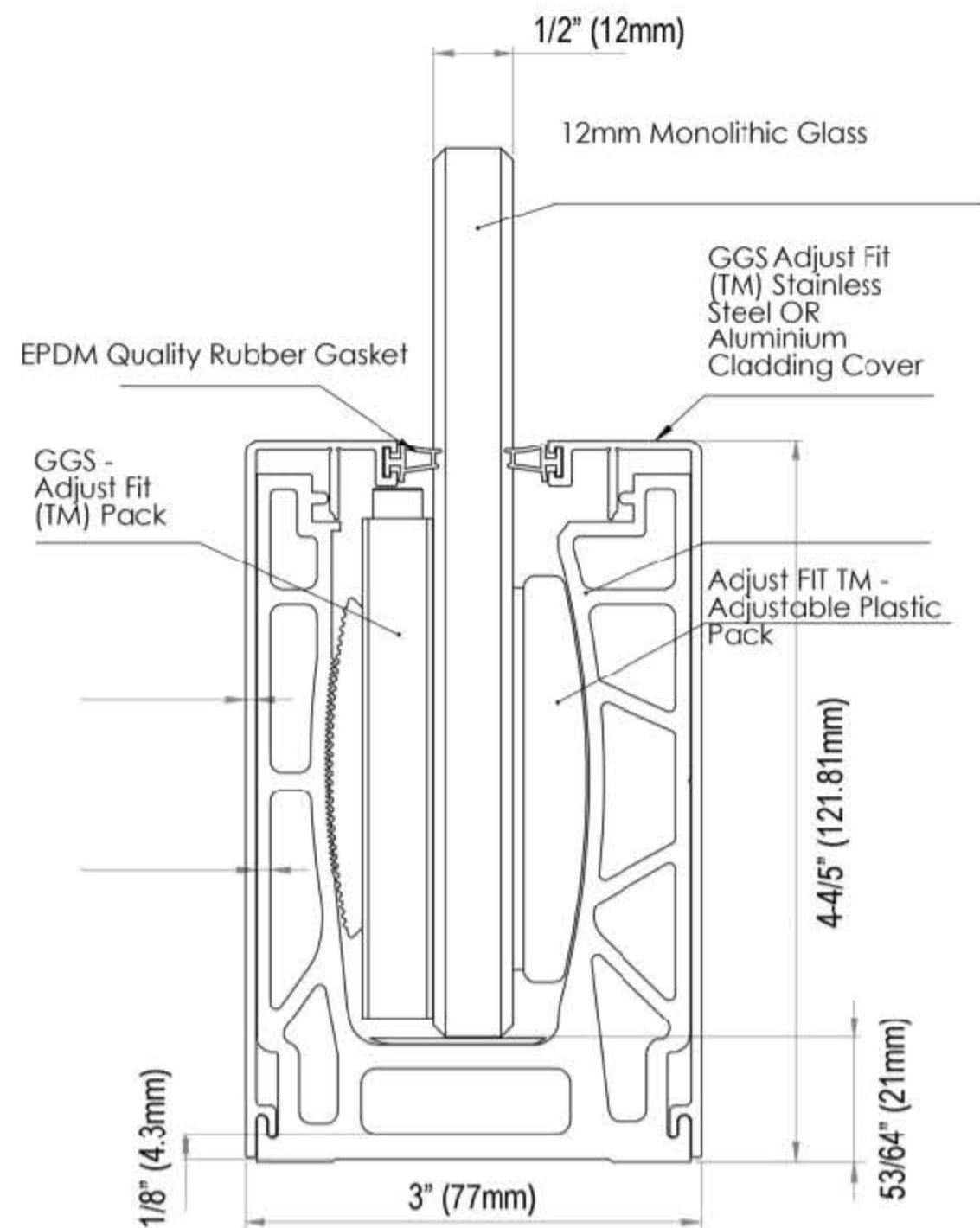
4) FASTENING OF THE BASE SHOE TO THE SUPPORT STRUCTURE IS TO BE DONE ON SITE WITH ADEQUATE FASTENERS THAT ARE ABLE TO WITHSTAND THE DESIGN LOAD.

5) FOR FULL DIMENSIONS SEE GREY GOAT DRAWING AT GGSHardware.com

**Fasteners**

- Lag bolt 3/8" x 5" into wood
- Optional 3/8" thru-bolt or threaded rod with flat washers and nuts
- Wedge Anchor 3/8" x 4" into concrete

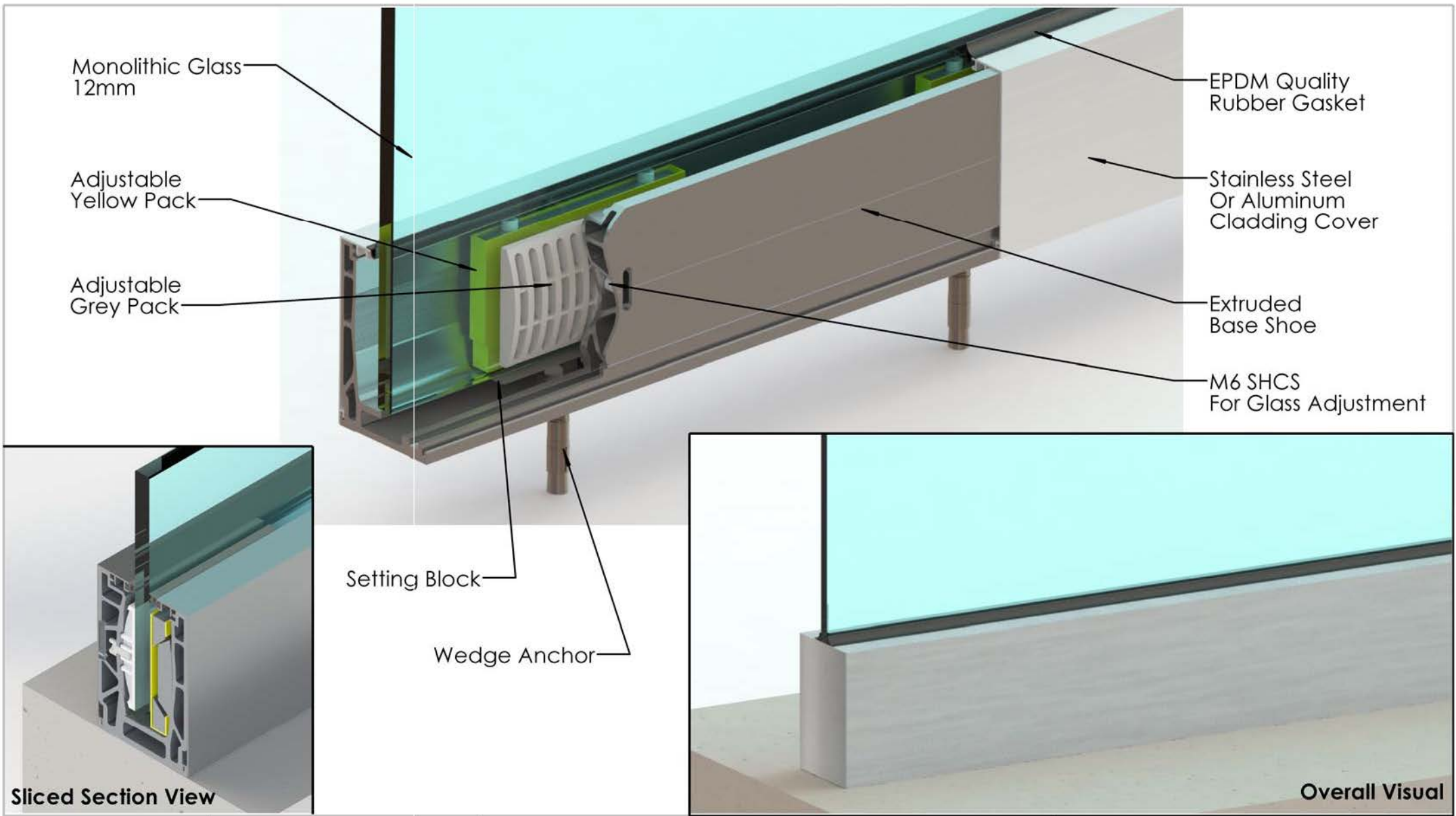
FINISH	PART #
BRUSHED ANODIZED ALUMINUM CLADDING	GGS-BASESHOE-ADJFIT-12MM-BAA
BRUSHED STAINLESS STEEL CLADDING	GGS-BASESHOE-ADJFIT-12MM-BSS
MATTE BLACK ANODIZED ALUMINUM CLADDING	GGS-BASESHOE-ADJFIT-12MM-MBA
POLISHED STAINLESS STEEL CLADDING	GGS-BASESHOE-ADJFIT-12MM-PSS



UNLESS OTHERWISE SPECIFIED:  
 DIMENSIONS ARE IN INCHES  
 TOLERANCES:  
 FRACTIONAL ± 1/16  
 ANGULAR: MAX CHAMFER 25° BEND 20.5°  
 TWO PLACE DECIMAL ± 0.1  
 THREE PLACE DECIMAL ± 0.010

STOCK SIZE	NAME	DATE	COMMENTS:
DRAWN	JG	2021-09-20	
CHECKED	DM	2021-09-20	
ENG. APPR.	DM	2021-09-20	
MFG. APPR.			
DO NOT SCALE DRAWING	Q.A.		

TITLE: BASE SHOE - ADJUST FIT™ - 12mm		REV
SIZE	DWG. NO.	
C	GGS-BASESHOE-ADJFIT-12MM	
SCALE	N/A	WEGHT: lbs
		SHEET 1 OF 1



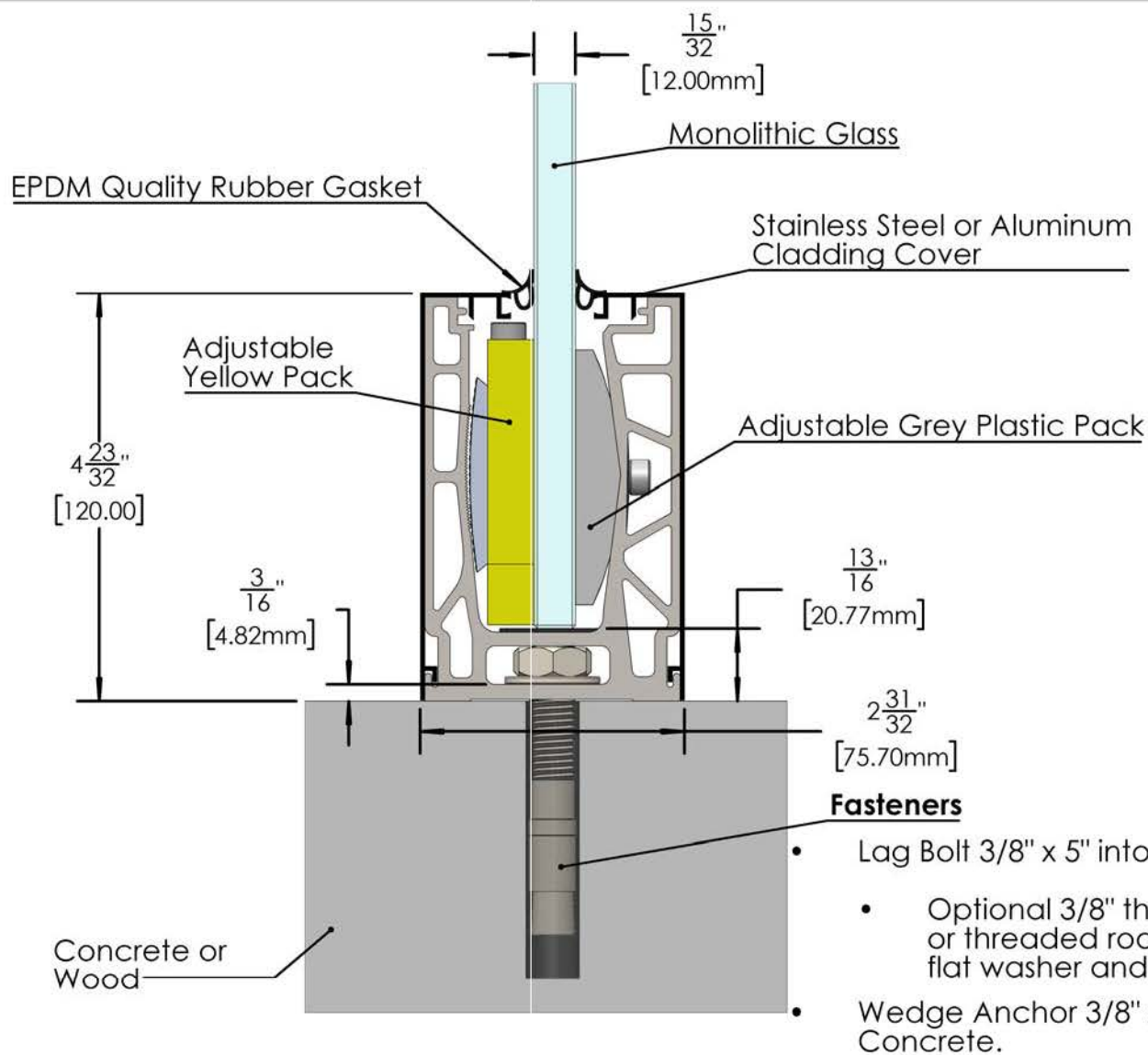
**PROPRIETARY AND CONFIDENTIAL**  
 THE INFORMATION CONTAINED IN THIS DRAWING IS THE SOLE PROPERTY OF GREY GOAT SUPPLY LTD ANY REPRODUCTION IN PART OR AS A WHOLE WITHOUT THE WRITTEN PERMISSION OF GREY GOAT SUPPLY LTD IS PROHIBITED

## Base Shoe System

Adjust-Fit™ - 12mm

VISIT OUR WEBSITE FOR MORE INFO  
[www.ggshardware.com](http://www.ggshardware.com)

FOR INQUIRES PLEASE CONTACT  
[products@greygoatsupply.com](mailto:products@greygoatsupply.com)



**NOTES:**

1. THE GLASS AND BASE SHOE COMPONENTS INSTALLED IN THE SHOWN CONFIGURATIONS MEET THE LOAD REQUIREMENTS SPECIFIED IN SECTION 9.8.8.2 AND 4.1.5.14.1 (C) OF THE 2015 NBC AND THE 2012 OBC.
2. GLASS MUST BE 1/2" OR 12mm THICK AND MUST BE TEMPERED OR LAMINATED SAFETY GLASS INSTALLED ACCORDING TO THE REQUIREMENTS OF CAN/CGSB 12.1-M
3. THE MATERIAL TO WHICH THE BASE SHOE IS BEING FASTENED MUST BE ABLE TO REASONABLY WITHSTAND THE DESIGN LOAD.
4. FASTENING OF THE BASE SHOE TO THE SUPPORT STRUCTURE IS TO BE DONE ON SITE WITH ADEQUATE FASTENERS THAT ARE ABLE TO WITHSTAND THE DESIGN LOAD.
5. FOR FULL DIMENSIONS SEE GREY GOAT DRAWING AT GGSHARDWARE.COM



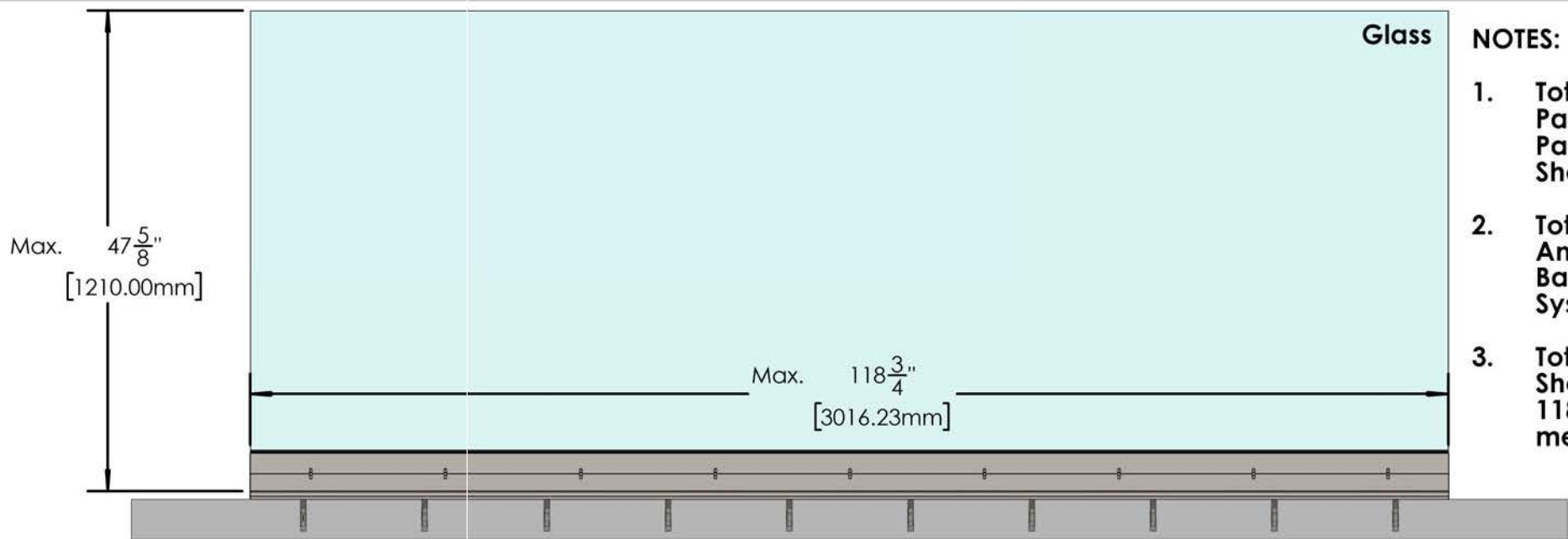
**PROPRIETARY AND CONFIDENTIAL**  
THE INFORMATION CONTAINED IN THIS DRAWING IS THE SOLE PROPERTY OF GREY GOAT SUPPLY LTD ANY REPRODUCTION IN PART OR AS A WHOLE WITHOUT THE WRITTEN PERMISSION OF GREY GOAT SUPPLY LTD IS PROHIBITED

## Base Shoe System

Adjust-Fit™ - 12mm

VISIT OUR WEBSITE FOR MORE INFO  
[www.ggshardware.com](http://www.ggshardware.com)

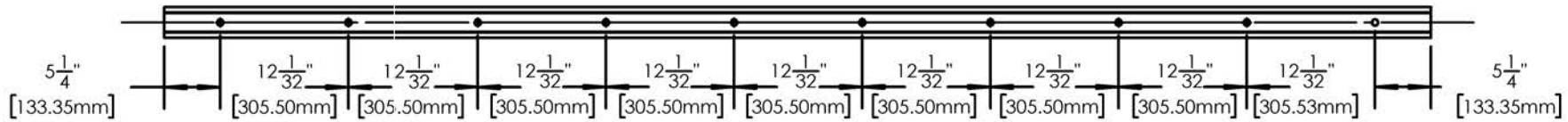
FOR INQUIRES PLEASE CONTACT  
[products@greygoatsupply.com](mailto:products@greygoatsupply.com)



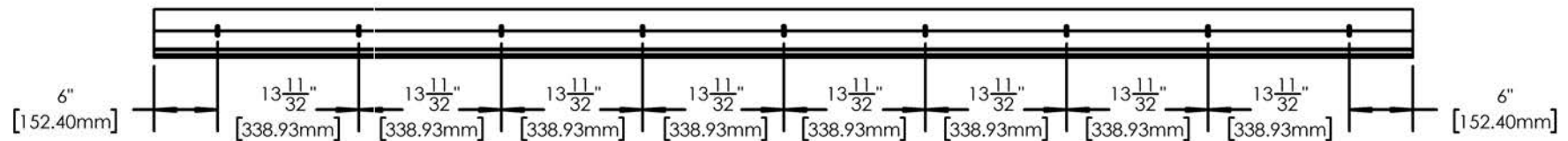
**Overall Front View**

**NOTES:**

1. Total 9 Yellow Pack and Grey Pack Per Base Shoe System.
2. Total 10 Bottom Anchors Per Base Shoe System.
3. Total Base Shoe Length 118-3/4" or 3 meters.



**Top View** (Anchor bolt Spacing)



**Front View** (Grey Pack Screw Spacing)



**PROPRIETARY AND CONFIDENTIAL**  
 THE INFORMATION CONTAINED IN THIS DRAWING IS THE SOLE PROPERTY OF GREY GOAT SUPPLY LTD ANY REPRODUCTION IN PART OR AS A WHOLE WITHOUT THE WRITTEN PERMISSION OF GREY GOAT SUPPLY LTD IS PROHIBITED

# Base Shoe System

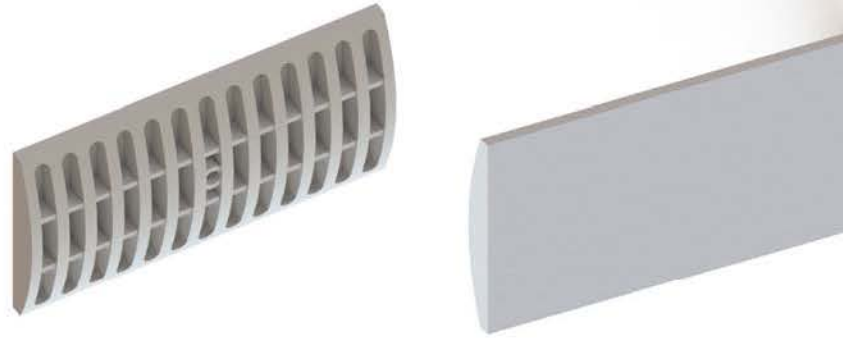
Adjust-Fit™ - 12mm

VISIT OUR WEBSITE FOR MORE INFO  
[www.ggshardware.com](http://www.ggshardware.com)

FOR INQUIRES PLEASE CONTACT  
[products@greygoatsupply.com](mailto:products@greygoatsupply.com)



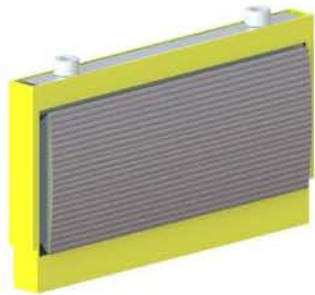
**Extruded Base Shoe**



**Grey Pack**



**Setting Block**



**Yellow Pack**



**Cladding**



**End Cap**



FOR WOOD



FOR CONCRETE

**Fasteners**



**EPDM Rubber Gasket**



**PROPRIETARY AND CONFIDENTIAL**

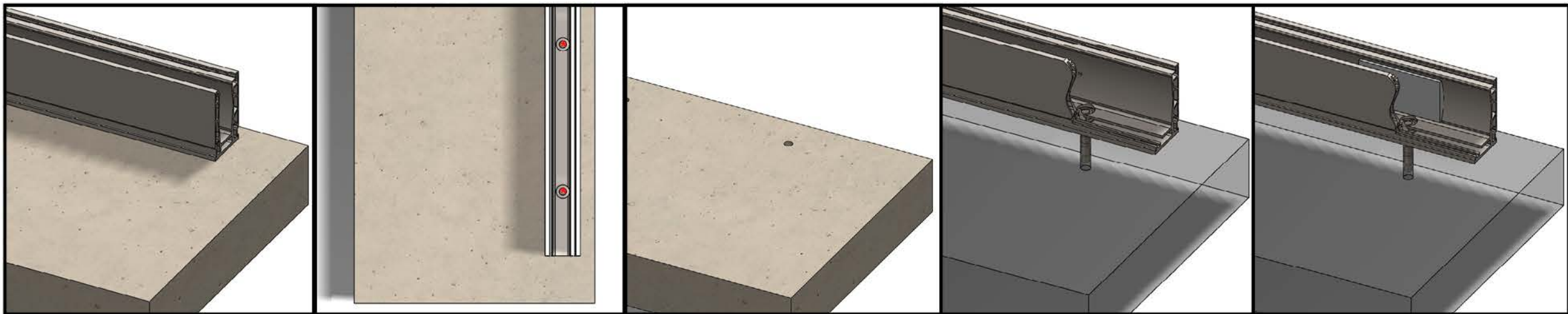
THE INFORMATION CONTAINED IN THIS DRAWING IS THE SOLE PROPERTY OF GREY GOAT SUPPLY LTD ANY REPRODUCTION IN PART OR AS A WHOLE WITHOUT THE WRITTEN PERMISSION OF GREY GOAT SUPPLY LTD IS PROHIBITED

# Base Shoe System

## Adjust-Fit™ - 12mm Components

VISIT OUR WEBSITE FOR MORE INFO  
[www.ggshardware.com](http://www.ggshardware.com)

FOR INQUIRES PLEASE CONTACT  
[products@greygoatsupply.com](mailto:products@greygoatsupply.com)



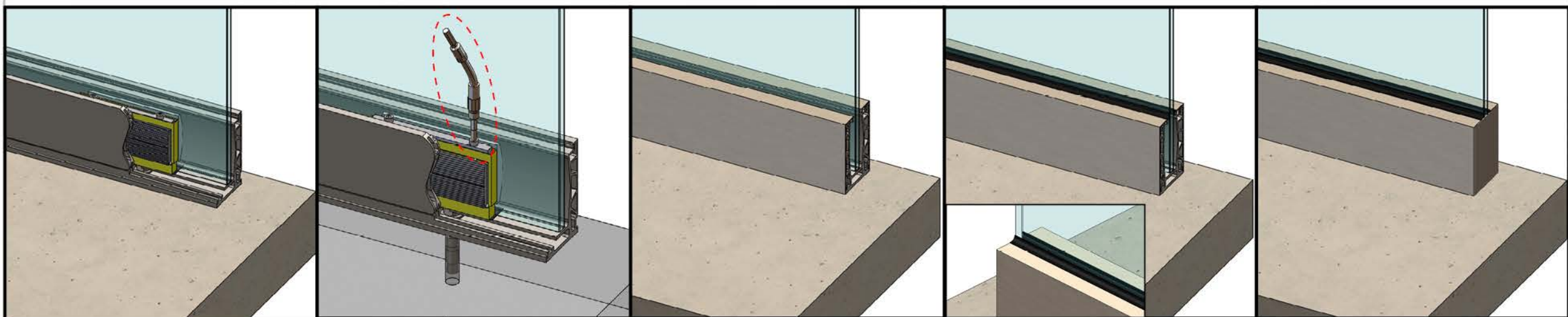
1. Place Base Shoe On Flat Surface

2. Mark All Drilling Holes

3. Remove Base Shoe & Drill Marked Holes

4. Install All Anchor Bolts

5. Place Tilt Adjustable Pack On Side With The Help Of Screws



6. Insert Glass Fixing Pack Along With Glass

7. Use GGH Special "Flex Tool" To Tighten The Glass Fixing Pack Screws.  
(Glass Fixing Pack has Expandable Mechanism which Expands On Tightening Both Screws)

Flex Tool - SKU: GGS-BASESHOE-ADJFIT-FLEXTOOL

8. Place Cladding From Both Sides.  
(4 Finishes Are Available For Claddings)

9. Place EPDM Quality Rubber Gasket From Both Sides.

10. Place End Cap From Both Sides.



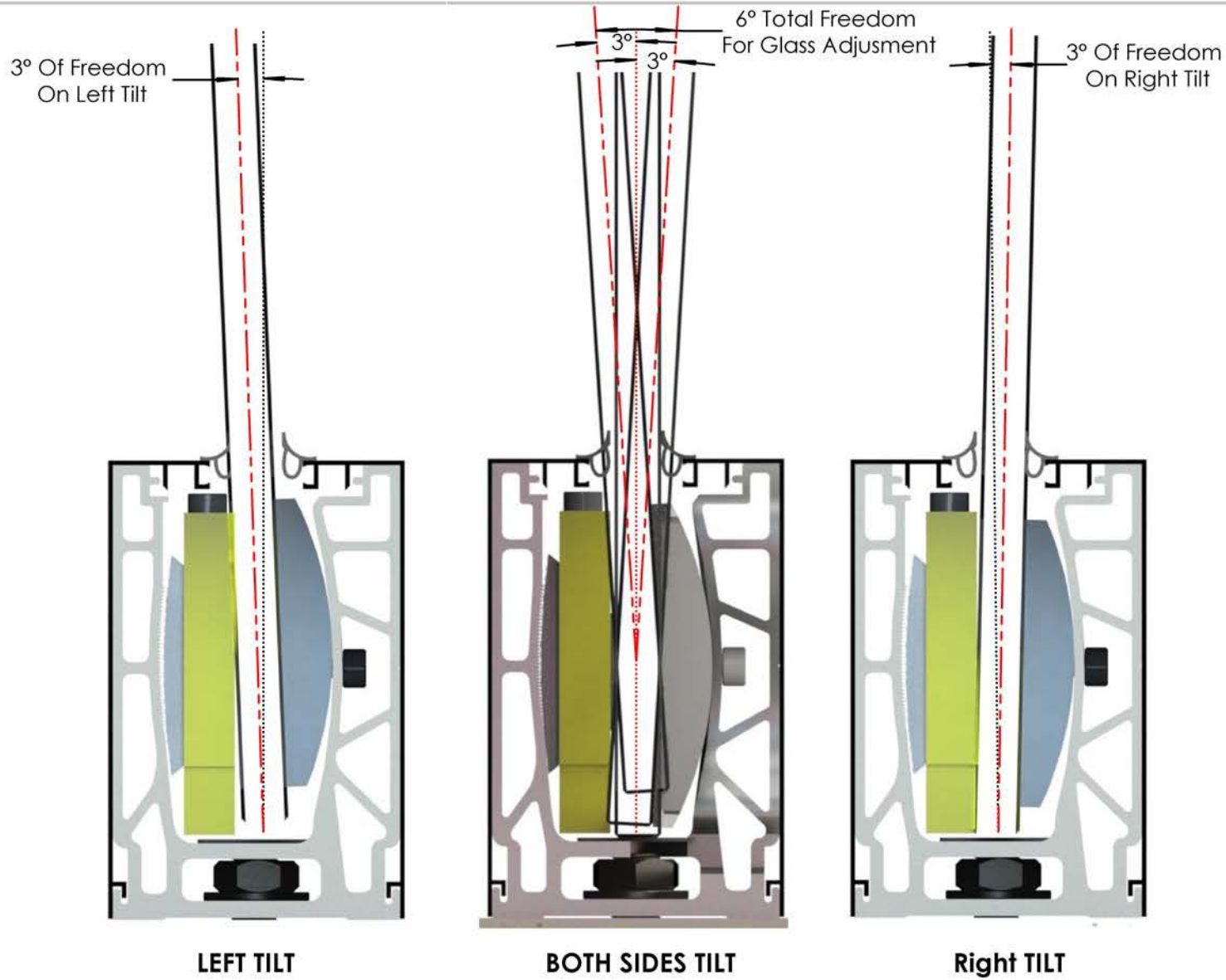
**PROPRIETARY AND CONFIDENTIAL**  
THE INFORMATION CONTAINED IN THIS DRAWING IS THE SOLE PROPERTY OF GREY GOAT SUPPLY LTD ANY REPRODUCTION IN PART OR AS A WHOLE WITHOUT THE WRITTEN PERMISSION OF GREY GOAT SUPPLY LTD IS PROHIBITED

## Base Shoe System

Adjust-Fit™ - 12mm  
Installation Guide

VISIT OUR WEBSITE FOR MORE INFO  
[www.ggshardware.com](http://www.ggshardware.com)

FOR INQUIRES PLEASE CONTACT  
[products@greygoatsupply.com](mailto:products@greygoatsupply.com)



**PROPRIETARY AND CONFIDENTIAL**  
 THE INFORMATION CONTAINED IN THIS DRAWING IS THE SOLE PROPERTY OF GREY GOAT SUPPLY LTD ANY REPRODUCTION IN PART OR AS A WHOLE WITHOUT THE WRITTEN PERMISSION OF GREY GOAT SUPPLY LTD IS PROHIBITED

## Base Shoe System

Base Shoe Glass Adjustment Angle

VISIT OUR WEBSITE FOR MORE INFO  
[www.ggshardware.com](http://www.ggshardware.com)

FOR INQUIRES PLEASE CONTACT  
[products@greygoatsupply.com](mailto:products@greygoatsupply.com)