

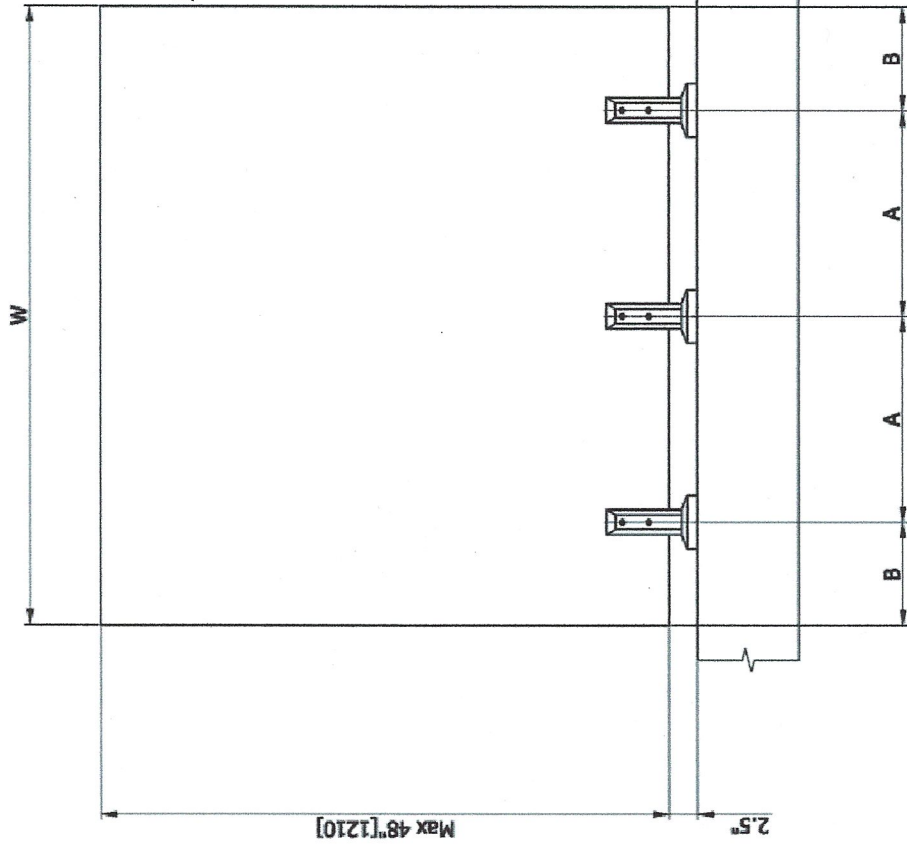
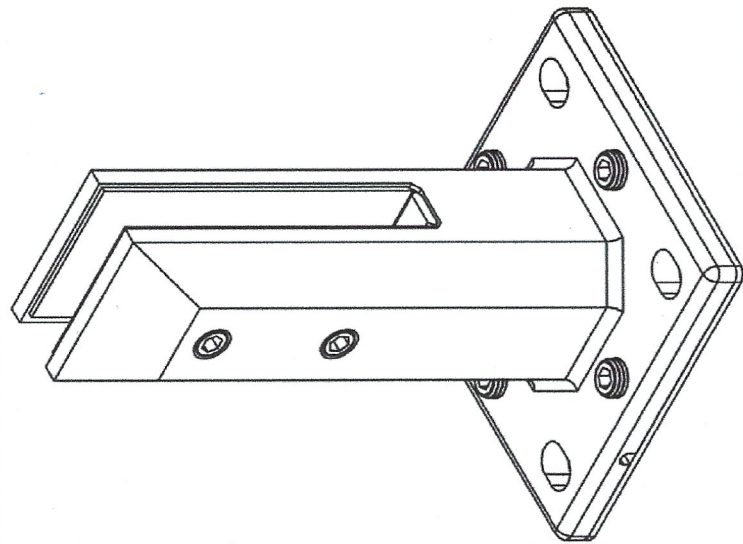
NOTES:

- 1) THE GLASS AND SPIGOT COMPONENTS INSTALLED IN THE SHOWN CONFIGURATIONS MEET THE LOAD REQUIREMENTS SPECIFIED IN SECTION 4.1.5.14.1(c) OF THE 2012 OBC.
- 2) GLASS MUST BE 1/2" OR 12mm THICK AND BE INSTALLED ACCORDING TO THE REQUIREMENTS OF CAN/CGSB-12.1-M.
- 3) THE MATERIAL TO WHICH THE SPIGOTS ARE BEING FASTENED MUST BE ABLE TO REASONABLY WITHSTAND THE DESIGN LOAD.
- 4) FASTENING OF THE SPIGOT TO THE SUPPORT STRUCTURE IS TO BE DONE ON SITE WITH ADEQUATE FASTENERS THAT ARE ABLE TO WITHSTAND THE DESIGN LOAD.
- 5) FOR FULL DIMENSIONS SEE GREY GOAT DRAWING AT GGSHardware.COM

RECOMMENDED CONFIGURATIONS:

W	A	B	Spigots
72	27	9	3
60	22	8	3
48	32	8	2
36	22	7	2
26	14	6	2

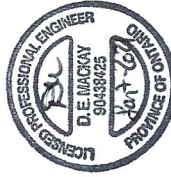
FINISH	PART #
BRUSHED STAINLESS	GGS-SPIGOT-6-SQ-BS
MATTE BLACK	GGS-SPIGOT-6-SQ-MB
POLISHED STAINLESS	GGS-SPIGOT-6-SQ-PS



Fasteners

- Lag bolt 3/8" x 5" into wood
- Optional 3/8" thru-bolt or threaded rod with flat washers and nuts
- Wedge Anchor 3/8" x 4" into concrete

Tested with three 2" x 6" spruce installed side by side and securely fastened to the test frame



GLASS PANEL HEIGHT: MAX 48"
 W: MIN 26"
 A: MAX 36"
 B: MIN 6" MAX 9"

(BASE CAP NOT SHOWN)



PROPERTY AND CONFIDENTIALITY:
 THIS DRAWING IS THE PROPERTY OF GREY GOAT. IT IS TO BE USED ONLY FOR THE PROJECT AND LOCATION SPECIFIED HEREIN. PERMISSION OF GREY GOAT SUPPLY LTD. IS REQUIRED.

UNLESS OTHERWISE SPECIFIED:
 DIMENSIONS ARE IN INCHES
 FRACTIONS ARE 1/16" AND 1/32" ROUNDED UP AS APPLICABLE
 TWO PLACE DECIMAL IS 0.01
 THREE PLACE DECIMAL IS 0.010

STOCK SIZE
 MATERIAL SS DUPL EX 2205
 FINISH DO NOT SCALE DRAWING

NAME DATE
 JG 12/17/2020
 DN 1/7/2021
DRAWN **CHECKED**
 DN DM
ENG. APPR. **MFG. APPR.**
 G.A.

COMMENTS:

6" ADJUSTABLE SQUARE SPIGOT SYSTEM
 SIZE DWG. NO. C
 GGS-SPIGOT-6-SQ

SCALE N/A WEIGHT: lb
 SHEET 1 OF 4